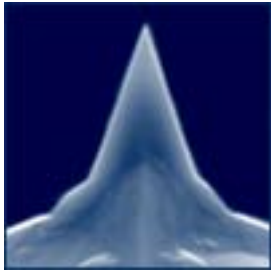


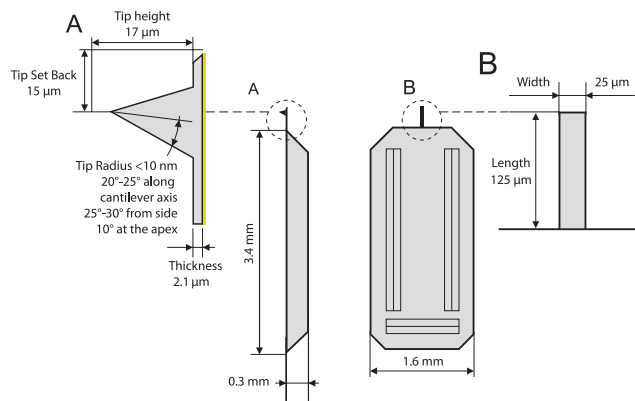


AFM probe Model: Tap150Al-G



This probe has alignment grooves on the backside of the holder chip.

- Soft Tapping Mode, Intermittent Contact Mode
- Rotated Monolithic Silicon Probe
Symmetric Tip Shape
Chipsize: 3.4 x 1.6 x 0.3 mm
- Coating: Aluminium reflex coating, 30 nm thick
- This probe uses an "on scan angle" symmetric tip to provide a more symmetric representation of features over 200 nm.



	Typical Values	Range
Resonant Frequency	150 kHz	+/- 75 kHz
Force Constant	5 N/m	1.5 - 15 N/m
Cantilever Length	125 µm	+/- 10 µm
Mean Width	25 µm	+/- 5 µm
Thickness	2.1 µm	+/- 1 µm
Tip Height	17 µm	+/- 2 µm
Tip Set Back	15 µm	+/- 5 µm
Tip Radius	< 10 nm	
Coating	Aluminium Reflex	
Half Cone Angle	20° - 25° along cantilever axis 25° - 30° from side 10° at the apex	

Order Code	Units in Package	Coating	Price
Tap150Al-G-10	10 pieces	Aluminium Reflex	\$210
Tap150Al-G-50	50 pieces	Aluminium Reflex	\$890
Tap150Al-G-380	380 pieces	Aluminium Reflex	\$3900