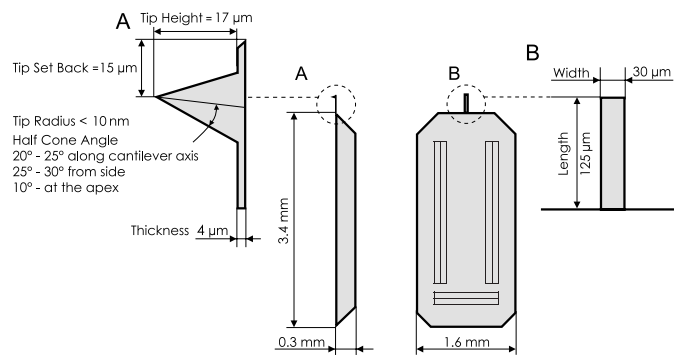




## AFM probe Model: **Tap300-G**



- Tapping, Intermittent Contact Mode
- Rotated Monolithic Silicon Probe  
Symmetric Tip Shape  
Chipsize: 3.4 x 1.6 x 0.3 mm
- Coating: none
- This probe uses an “on scan angle” symmetric tip to provide a more symmetric representation of features over 200 nm.



	Typical Values	Range
Resonant Frequency	300 kHz	+/- 100 kHz
Force Constant	40 N/m	20 - 75 N/m
Cantilever Length	125 μm	+/- 10 μm
Mean Width	30 μm	+/- 5 μm
Thickness	4 μm	+/- 1 μm
Tip Height	17 μm	+/- 2 μm
Tip Set Back	15 μm	+/- 5 μm
Tip Radius	< 10 nm	
Coating	none	
Half Cone Angle	20° - 25° along cantilever axis 25° - 30° from side 10° at the apex	

Order Code	Units in Package	Coating	Price
Tap300-G-10	10 pieces	none	\$200
Tap300-G-50	50 pieces	none	\$850
Tap300-G-380	380 pieces	none	\$3800